

Volkswagen > New Beetle > 1998 - 2005

Body Interior

70 - Interior trim

Instrument panel, removing and installing

WARNING!

Disconnect battery Ground (GND) strap before working on electrical system, observing all cautions => Repair Manual; Electrical; Repair Group 27, Battery, disconnecting and reconnecting.

Removing

Note:

Before disconnecting battery Ground (GND) strap obtain security code for radio with anti-theft coding.

- Remove driver's airbag unit => page [69-50](#).
- Remove steering wheel => page [69-61](#).

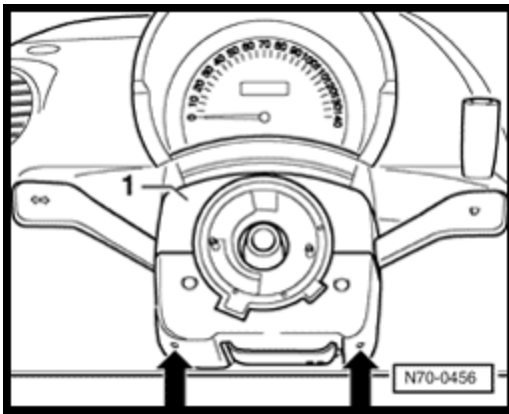
Note:

- ◆ For vehicles with steering angle sensor -G85- observe:

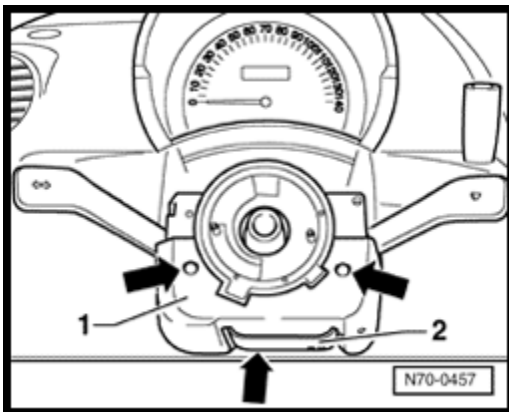
=> Suspension, Wheels, Steering; Repair Group 48 - Steering; Steering column, removing and installing; Sequence for vehicles with steering angle sensor -G85-.

For vehicles without steering angle sensor -G85- observe:

=> Suspension, Wheels, Steering; Repair Group 48 - Steering; Steering column, removing and installing; For vehicles without steering angle sensor -G85-.



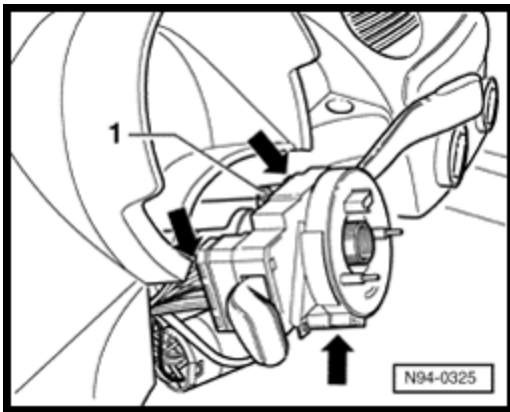
- Remove two screws -arrows-.
- Remove steering column switch upper trim -1-.



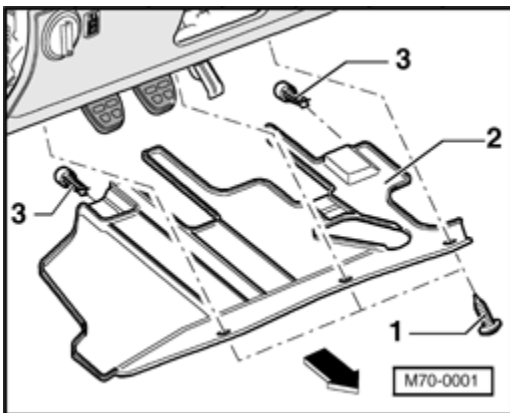
- Remove three screws -arrows-.
- Release steering wheel height adjustment -2-.
- Remove steering column switch lower trim-1-.

Note:

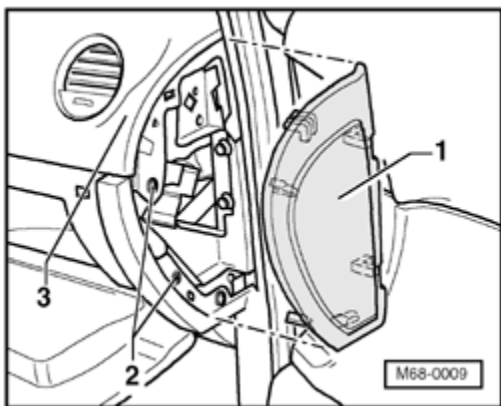
Handle for height adjustment can be removed (two screws) to ease removal of lower trim.



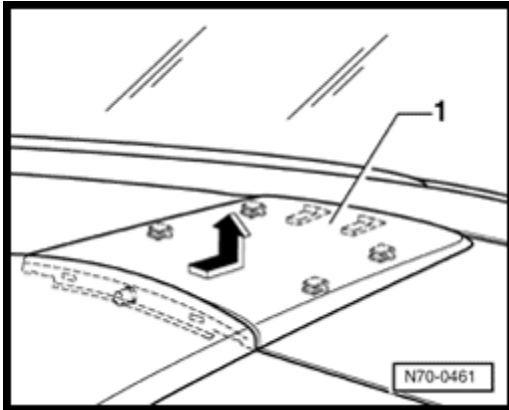
- Remove Hex socket (Allen key) head bolt -1-.
- Disconnect connectors -arrows- from steering column switches.
- Remove steering column switch.



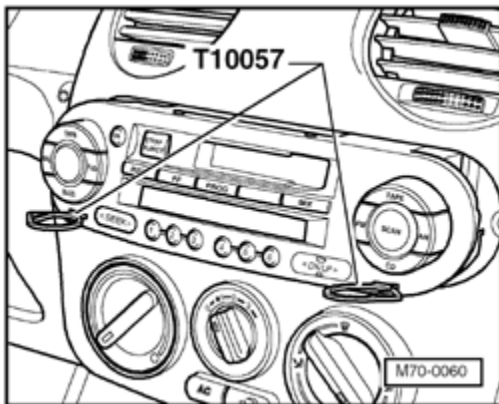
- Remove screws -1-.
- Remove driver's side footwell cover -2- from retainers -3-.



- Release rear of cover -1- from instrument panel -3- and remove instrument panel to rear.
- Remove bolts/screws -2-.



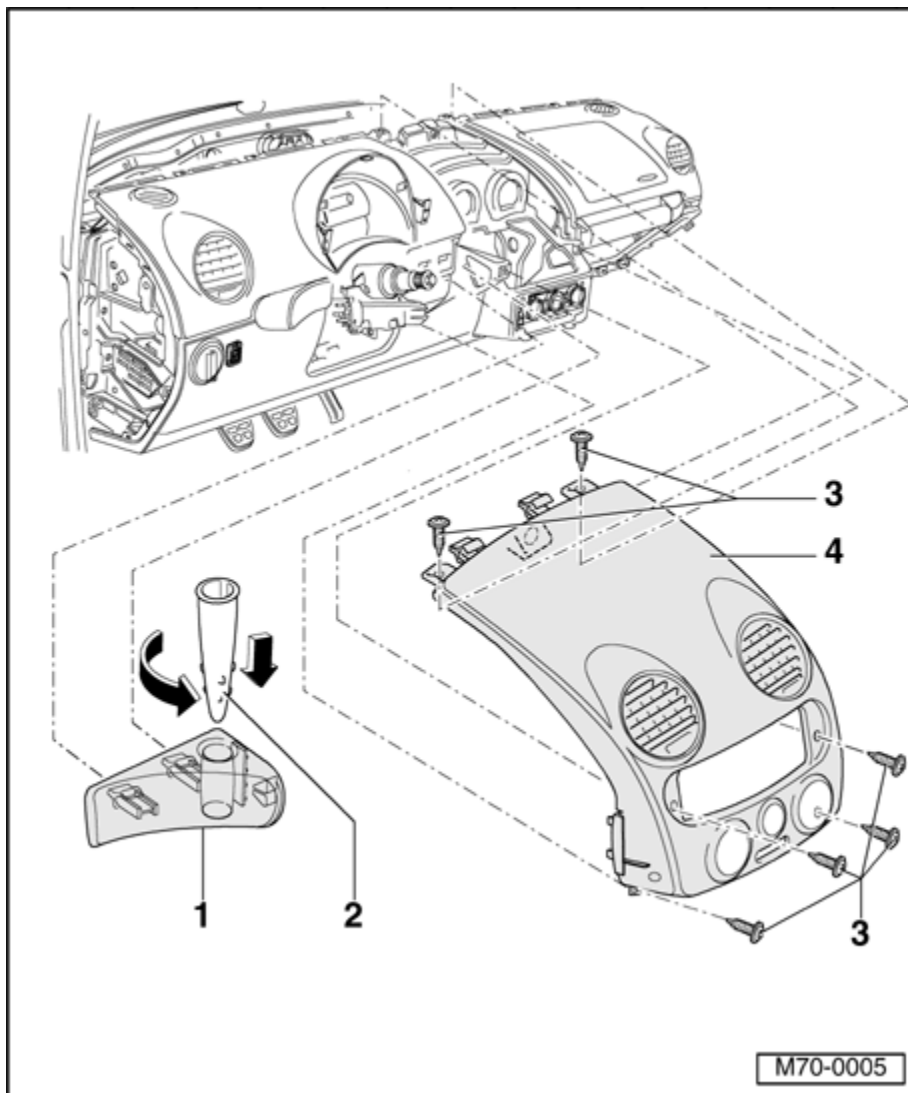
- Slide plenum chamber center cover -1- forward out of its locking device and Remove of instrument panel -arrow-.



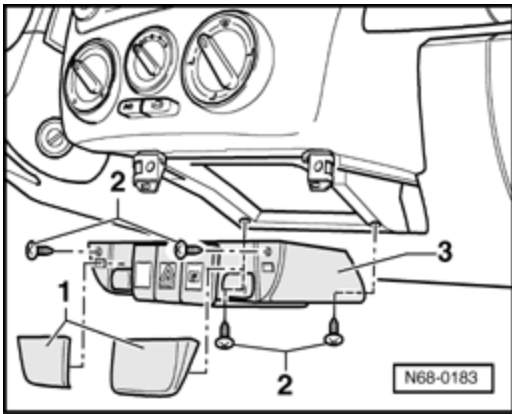
- Insert a release tool T10057 into all slots until they engage.
- Remove radio from instrument panel using grip rings of release tools and disconnect electrical connections.

Note:

- ◆ Radio release tool T10057 must not be pushed to side or canted when being used.
- ◆ Press locking lugs on sides of radio unit to remove release tools.

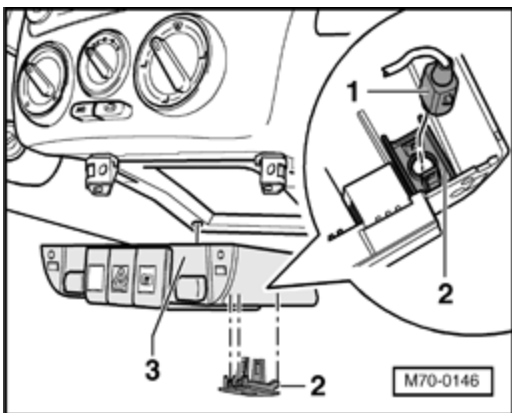


- Remove bracket -1- for flower vase -2- from instrument panel.
- Disconnect hazard warning light switch connection
- Disconnect airbag deactivation warning lamp -K145- connection 05.03 ►
- Remove screws -3- and remove center air outlet console -4- from instrument panel.

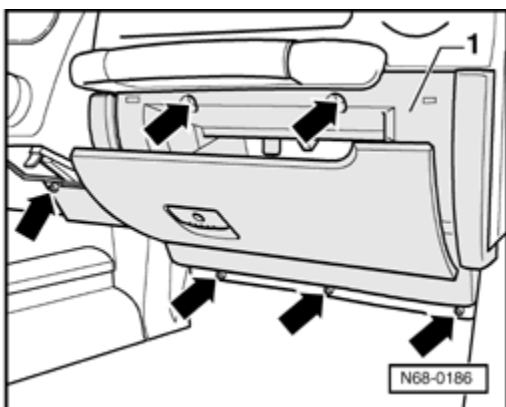


- Pry off cover caps -1- and remove screws -2-.
- Remove switch mounting -3- from retainer.
- Disconnect electrical connectors from switches.

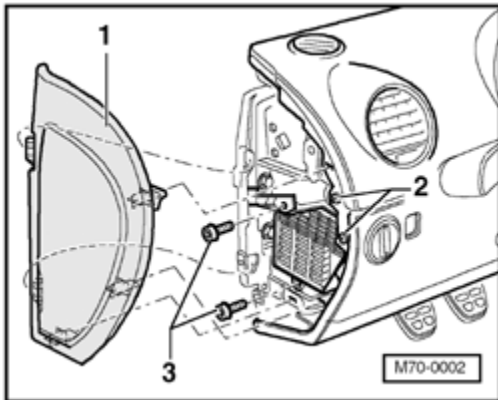
When existing



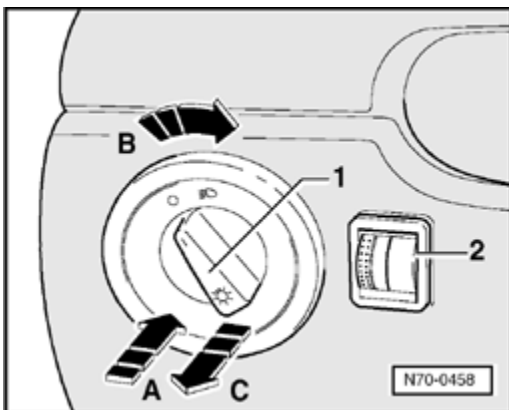
- Remove auxiliary input jack -1- from bracket -2-.
- If necessary, remove bracket -2- from switch mounting -3-.



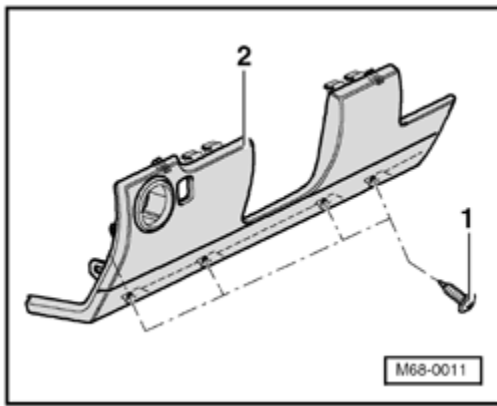
- Remove screws -arrows- (Qty. 6) (screws in center of vehicle are hidden under cover caps).
- Remove glove box -1-.
- Disconnect glove box lighting connections.



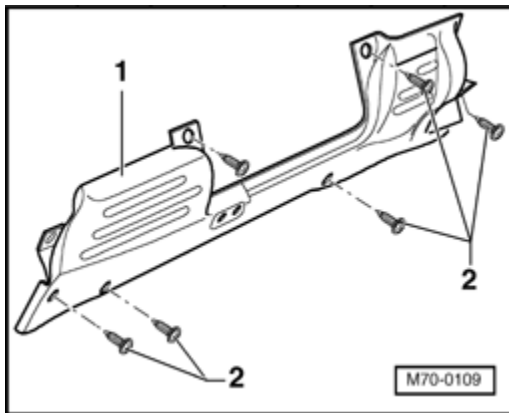
- Release rear of cover -1- from instrument panel and remove.
- Remove screws -2- and two screws -3- of fuse holder.



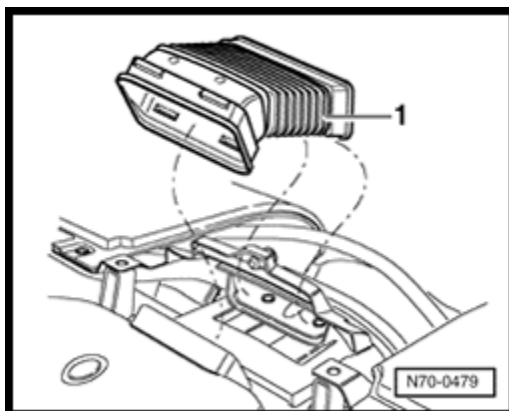
- Turn rotary part -1- of lighting switch to position 0.
- Press rotary part inward -arrow A- and then to right -arrow B-.
- Remove switch out of instrument panel -arrow C- and disconnect electrical connections.
- Unclip head light range control switch -2- and disconnect connector.



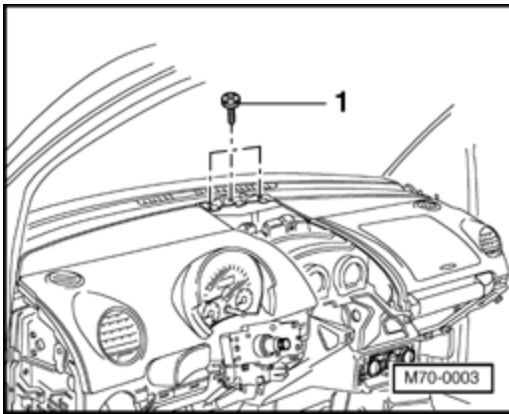
- Remove 4 screws -1-.
- Unclip trim -2- upward and remove from instrument panel.



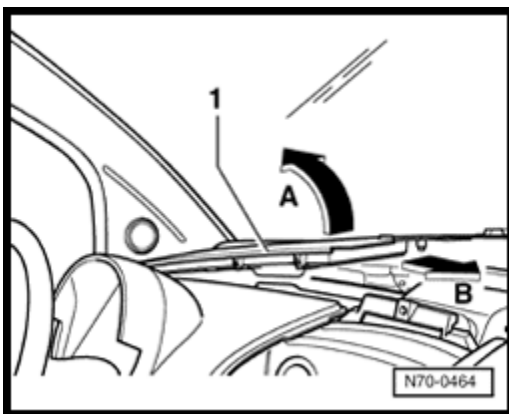
- Remove screws -2-.
- Remove impact plate -1- (Convertible).



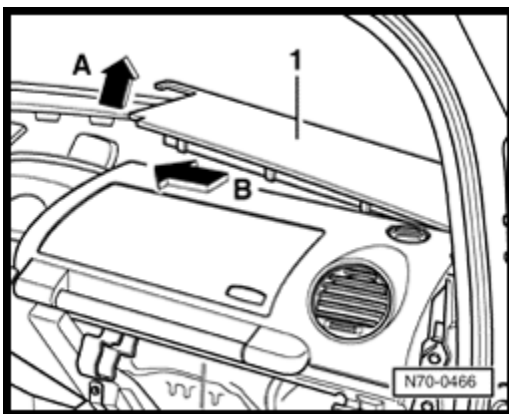
- Remove air duct -1- above center of instrument panel.



- Remove Qty. 3 screws -1-.

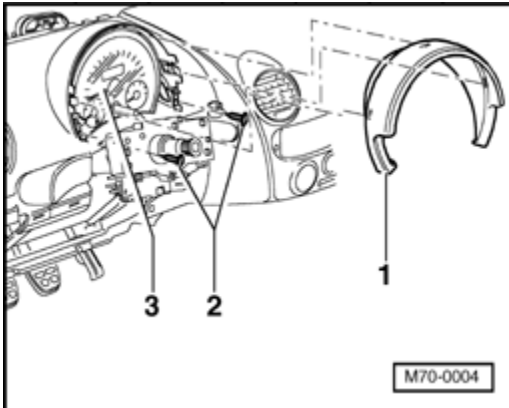


- Lift left-hand plenum chamber cover -1- in center of instrument panel -arrow A-, this action unclips panel (front and rear edges are clipped).
- Remove cover -1- toward center of instrument panel and out of retainers in A-pillar - arrow B-.



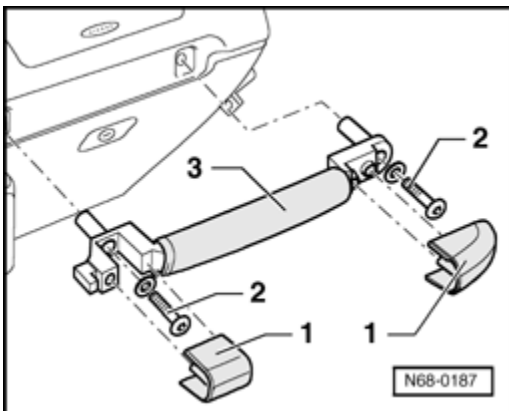
- Lift right-hand plenum chamber cover -1- in center of instrument panel -arrow A-, this action unclips panel (front and rear edges are clipped).

- Remove cover -1- toward center of instrument panel and out of retainers in A-pillar - arrow B-.

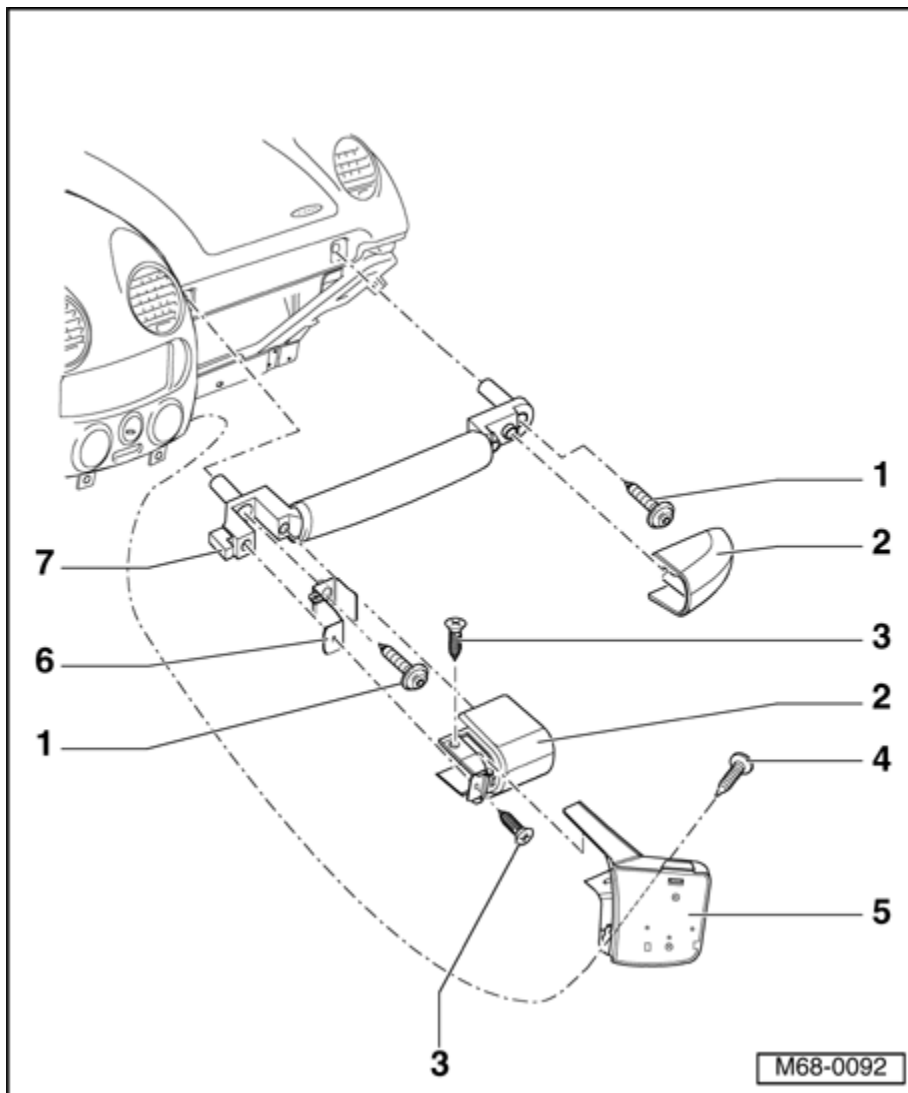


- Unclip trim -1-.
- Remove bolts/screws -2-.
- Remove instrument panel insert -3-.
- Disconnect multi-pin connections on back of instrument panel insert.

Models without a mobile telephone/cell phone retainer installed



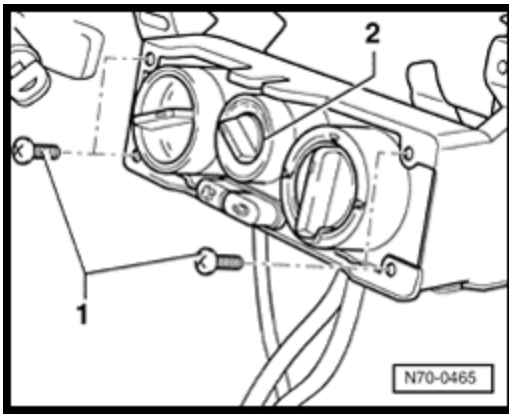
- Remove covers-1-.
- Remove screws -2- (Tightening torque 8 Nm) and remove handle -3- from instrument panel.



Models with mobile telephone/cell phone retainer

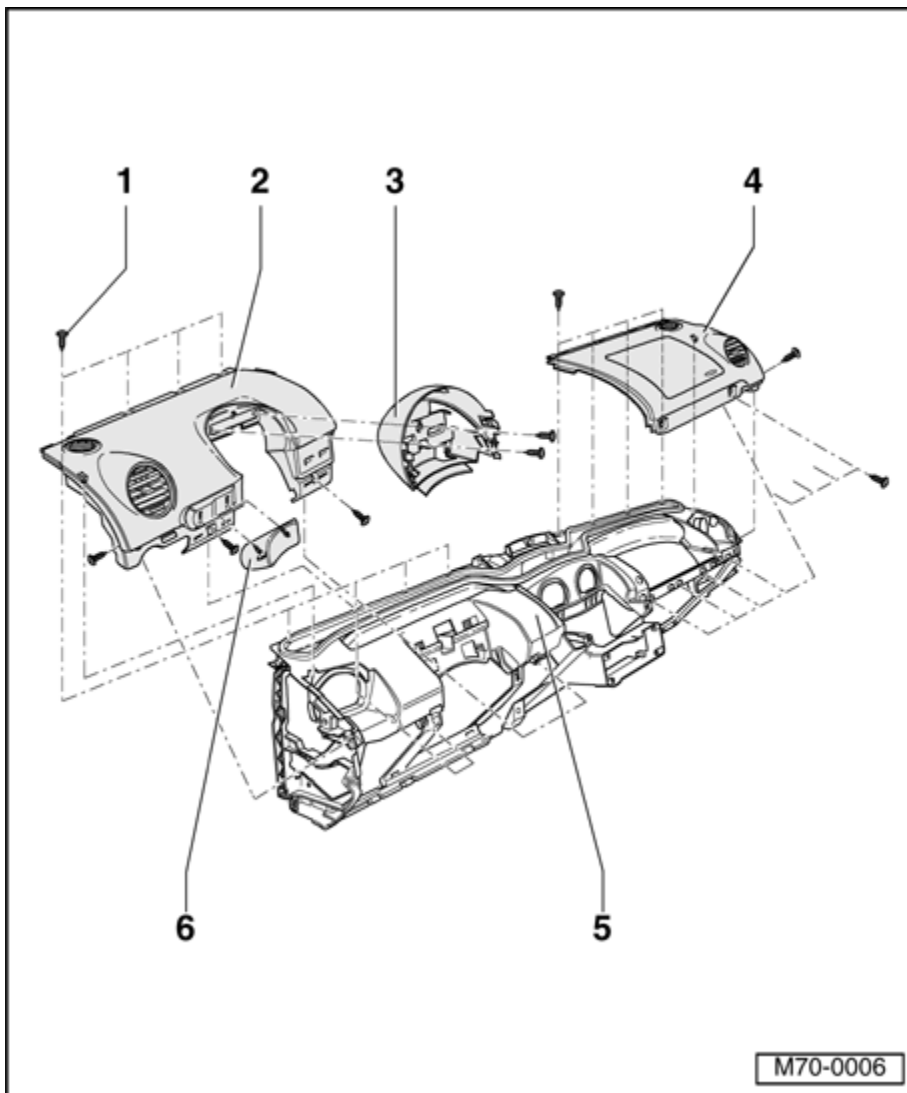
- Remove screws -3- and -4- from mobile telephone/cell phone retainer
- Remove mobile telephone/cell phone retainer -5-.
- Remove cover -2-.
- Remove screws -1- and remove left retaining plate -6-. Take hand hold -7- off instrument panel.

Continued for all models



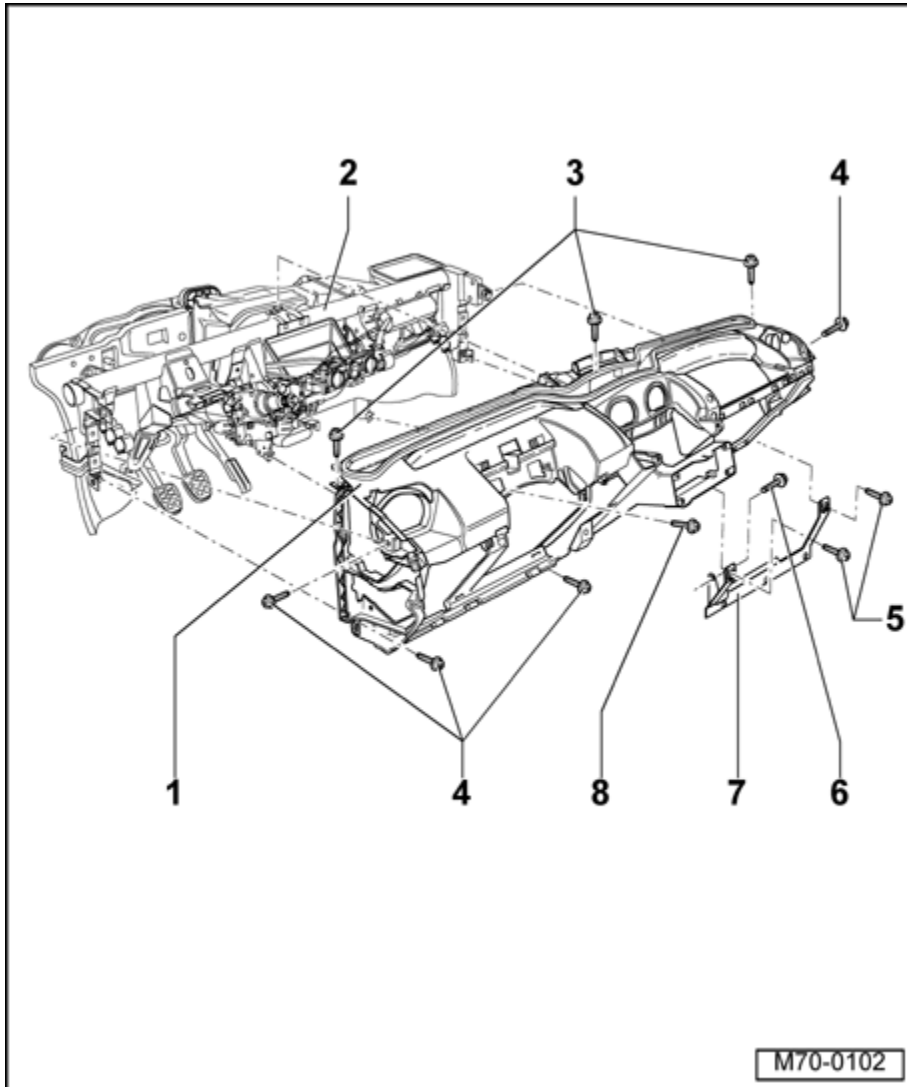
- Remove 4 screws -1-.

- Press heating and ventilation control -2- with attached cables under instrument panel.



- Remove screws (2x) and remove Instrument cluster housing -3-.

- Remove trim -6-
- Remove screws on under side (Qty. 2), upper edge (Qty. 4) and left-hand side (Qty. 1) of left-hand upper instrument panel -2-. Take upper section of instrument panel -2- off base unit -5-.
- Remove screws on under side (Qty. 4), upper edge (Qty. 4) and right-hand side (Qty. 1) of right-hand upper instrument panel -4-. Take upper section of instrument panel -4- off base unit -5-.



- Remove screws -5-, M8 bolt -6- and remove frame -7-.
- Remove screws -3-, -4- and -8-.
- Remove screws securing fuse panel to instrument panel.
- Remove instrument panel base unit -1- from cross member -2- and remove of vehicle.

Installing

Install in reverse order of removal.

Note:

- ◆ After reconnecting battery, make sure vehicle equipment (radio, clock, electric windows) is checked as per Repair Manual and/or Owner's manual.
- ◆ If DTC memory has been erased or Motronic Engine Control Module (ECM) -J220- was disconnected from battery positive, readiness code must be generated again

=> Repair Manual, Fuel Injection & Ignition, Repair Group 01 On Board Diagnostic; Readiness code, setting.

- ◆ After completion of installation on models with ESP, perform basic (default) setting for Steering Angle Sensor -G85-.

=> Repair Manual, Brake System On Board Diagnostic (OBD), Repair Group 01; On Board Diagnostic (OBD), performing; Initiating basic setting

- ◆ If Airbag Malfunction Indicator Lamp (MIL) -K75- signals a malfunction after installation is complete, then DTC memory must be erased and interrogated again with V.A.G 1551.

=> Repair Manual, Body On Board Diagnostic (OBD), Repair Group 01; Airbag system, On Board Diagnostic